


Model Number	Nominal Size (Inches) W x H x D	Actual Size (Inches) W x H x D	Rated Air Flow (CFM)	Initial Resistance (IN W.G.)	Media Area (Square Feet)
DP1-110	12 x 24 x 1	11-3/8 x 23-3/8 x 3/4	600	.25	3.7
DP1-101	16 x 20 x 1	15-1/2 x 19-1/2 x 3/4	670	.25	4.3
DP1-102	16 x 25 x 1	15-1/2 x 24-1/2 x 3/4	840	.25	5.4
DP1-103	20 x 20 x 1	19-1/2 x 19-1/2 x 3/4	840	.25	5.5
DP1-104	20 x 25 x 1	19-1/2 x 24-1/2 x 3/4	1050	.25	6.8
DP1-105	24 x 24 x 1	23-3/8 x 23-3/8 x 3/4	1200	.25	7.7
DP1-210	12 x 24 x 2	11-3/8 x 23-3/8 x 1-3/4	1000	.38	8.2
DP1-201	16 x 20 x 2	15-1/2 x 19-1/2 x 1-3/4	1085	.38	10.0
DP1-202	16 x 25 x 2	15-1/2 x 24-1/2 x 1-3/4	1420	.38	12.5
DP1-203	20 x 20 x 2	19-1/2 x 19-1/2 x 1-3/4	1420	.38	12.1
DP1-204	20 x 25 x 2	19-1/2 x 24-1/2 x 1-3/4	1755	.38	15.1
DP1-205	24 x 24 x 2	23-3/8 x 23-3/8 x 1-3/4	2000	.38	18.3
DP1-410	12 x 24 x 4	11-3/8 x 23-3/8 x 3-3/4	1000	.33	12.7
DP1-401	16 x 20 x 4	15-1/2 x 19-1/2 x 3-3/4	1085	.33	15.9
DP1-402	16 x 25 x 4	15-1/2 x 24-1/2 x 3-3/4	1420	.33	19.9
DP1-403	20 x 20 x 4	19-1/2 x 19-1/2 x 3-3/4	1420	.33	20.1
DP1-404	20 x 25 x 4	19-1/2 x 24-1/2 x 3-3/4	1755	.33	25.2
DP1-405	24 x 24 x 4	23-3/8 x 23-3/8 x 3-3/4	2000	.33	26.7

STANDARD CONSTRUCTION

1. Yellow High-Loft Fiberglass Media
2. Expanded Metal Pleat Supports
3. Non-Flammable Board Frame
4. Double Wall Frame
5. High Temperature Adhesive
6. Finger Pleat Separators Included For 4" Depth

NOTES

1. Average Efficiency: 35-40% ASHRAE 52.1-1992
2. Final Resistance: 1.0" W.G.
3. Rated Velocity: 300 FPM 1" Depth
Rated Velocity: 500 FPM 2" & 4" Depth
4. Class 1 Filter Per U.L. Standard 900
5. Maximum Operating Temperature: 200 deg. F


ONE SOURCE FOR AIR FILTRATION PRODUCTS
 P.O. Box 32578
 Louisville, KY 40232
 P: 502-969-2304
 F: 502-961-0930

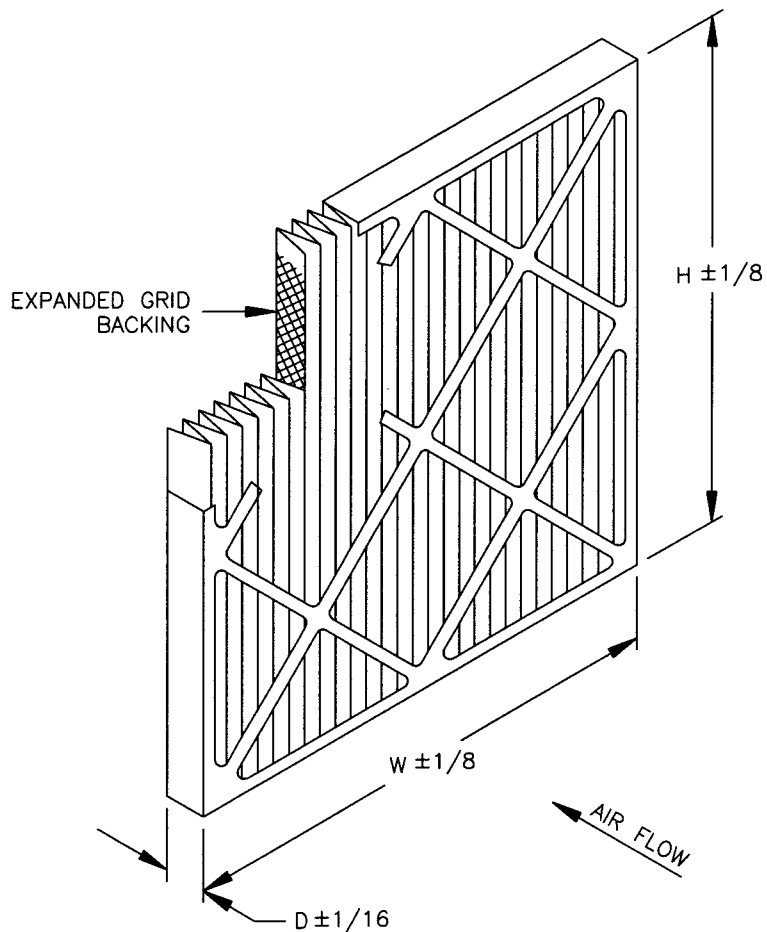
CONTACT FACTORY TO VERIFY REVISION LEVEL

TOLERANCES UNLESS OTHERWISE SPECIFIED
 FRACTIONAL
 DECIMAL
 ANGLES

ALL DIMENSIONS IN INCHES

DRAWING NAME: **TYPE DP-40 U.L. CLASS 1**
 APPROVED BY: *KCO*
 SPECIFICATION NO.: MKT-B-00161
 SCALE: NONE
 DWG. SIZE: A
 REVISION: A
 REVISION DATE: 06-28-02
 PAGE: 1 OF 1

CONFIDENTIAL - DO NOT COPY. THIS MATERIAL IS TRADE SECRET AND PROPRIETARY BEING EXCLUSIVELY OWNED BY AIRGUARD. THE EXPRESSION OF THE INFORMATION CONTAINED HEREIN IS PROTECTED UNDER FEDERAL COPYRIGHT LAWS AND ALL COPYING IS PROHIBITED AND MAY BE SUBJECT TO CRIMINAL PENALTIES.




Model Number	Nominal Size (Inches) W x H x D	Actual Size (Inches) W x H x D	Rated Air Flow (CFM)	Initial Resistance (IN W.G.)	Media Area (Square Feet)
MX1-110	12 x 24 x 1	11-3/8 x 23-3/8 x 3/4	600	.30	3.4
MX1-101	16 x 20 x 1	15-1/2 x 19-1/2 x 3/4	670	.30	3.8
MX1-102	16 x 25 x 1	15-1/2 x 24-1/2 x 3/4	840	.30	4.8
MX1-103	20 x 20 x 1	19-1/2 x 19-1/2 x 3/4	840	.30	4.7
MX1-104	20 x 25 x 1	19-1/2 x 24-1/2 x 3/4	1050	.30	5.9
MX1-105	24 x 24 x 1	23-3/8 x 23-3/8 x 3/4	1200	.30	6.8
MX1-210	12 x 24 x 2	11-3/8 x 23-3/8 x 1-3/4	1000	.45	6.3
MX1-201	16 x 20 x 2	15-1/2 x 19-1/2 x 1-3/4	1085	.45	6.8
MX1-202	16 x 25 x 2	15-1/2 x 24-1/2 x 1-3/4	1420	.45	8.5
MX1-203	20 x 20 x 2	19-1/2 x 19-1/2 x 1-3/4	1420	.45	8.4
MX1-204	20 x 25 x 2	19-1/2 x 24-1/2 x 1-3/4	1755	.45	10.5
MX1-205	24 x 24 x 2	23-3/8 x 23-3/8 x 1-3/4	2000	.45	12.3
MX1-410	12 x 24 x 4	11-3/8 x 23-3/8 x 3-3/4	1000	.35	10.2
MX1-401	16 x 20 x 4	15-1/2 x 19-1/2 x 3-3/4	1085	.35	12.7
MX1-402	16 x 25 x 4	15-1/2 x 24-1/2 x 3-3/4	1420	.35	15.9
MX1-403	20 x 20 x 4	19-1/2 x 19-1/2 x 3-3/4	1420	.35	15.9
MX1-404	20 x 25 x 4	19-1/2 x 24-1/2 x 3-3/4	1755	.35	19.9
MX1-405	24 x 24 x 4	23-3/8 x 23-3/8 x 3-3/4	2000	.35	20.3

STANDARD CONSTRUCTION

1. Yellow High-Loft Fiberglass Media
2. Expanded Metal Pleat Supports
3. Non-Flammable Board Frame
4. Double Wall Frame
5. High Temperature Adhesive
6. Finger Pleat Separators Included For 4" Depth

NOTES

1. Average Efficiency: 35-40% ASHRAE 52.1-1992
2. Final Resistance: 1.0" W.G.
3. Rated Velocity: 300 FPM 1" Depth
Rated Velocity: 500 FPM 2" & 4" Depth
4. Class 1 Filter Per U.L. Standard 900
5. Maximum Operating Temperature: 200 deg. F

 ONE SOURCE FOR AIR FILTRATION PRODUCTS	P.O. Box 32578 Louisville, KY 40232 P: 502-969-2304 F: 502-961-0930
	<p style="text-align: center;">CONTACT FACTORY TO VERIFY REVISION LEVEL</p>

TOLERANCES UNLESS OTHERWISE SPECIFIED	
FRACTIONAL	
DECIMAL	
ANGLES	
ALL DIMENSIONS IN INCHES	

DRAWING NAME			
TYPE DP-MAX U.L. CLASS 1			
APPROVED BY	SPECIFICATION NO.	PAGE	
<i>H. Q. M.</i>	MKT-B-00162	1 OF 1	
SCALE	DWG. SIZE	REVISION	REVISION DATE
NONE	A	A	06-28-02
<small>CONFIDENTIAL - DO NOT COPY. THIS MATERIAL IS TRADE SECRET AND PROPRIETARY BEING EXCLUSIVELY OWNED BY AIRGUARD. THE EXPRESSION OF THE INFORMATION CONTAINED HEREIN IS PROTECTED UNDER FEDERAL COPYRIGHT LAWS AND ALL COPYING IS PROHIBITED AND MAY BE SUBJECT TO CRIMINAL PENALTIES.</small>			