


| Model Number | Nominal Size (Inches)<br>W x H x D | Actual Size (Inches)<br>W x H x D | Rated Air Flow (CFM) | Initial Resistance (IN W.G.) | Media Area (Square Feet) |
|--------------|------------------------------------|-----------------------------------|----------------------|------------------------------|--------------------------|
| DP40-117     | 10 x 20 x 1                        | 9-3/4 x 19-3/4 x 3/4              | 425                  | .21                          | 2.9                      |
| DP40-120     | 12 x 20 x 1                        | 11-3/4 x 19-3/4 x 3/4             | 500                  | .21                          | 3.1                      |
| DP40-110     | 12 x 24 x 1                        | 11-3/8 x 23-3/8 x 3/4             | 600                  | .21                          | 3.7                      |
| DP40-139     | 14 x 20 x 1                        | 13-3/4 x 19-3/4 x 3/4             | 590                  | .21                          | 3.8                      |
| DP40-141     | 14 x 25 x 1                        | 13-3/4 x 24-3/4 x 3/4             | 730                  | .21                          | 4.8                      |
| DP40-145     | 15 x 20 x 1                        | 14-3/4 x 19-3/4 x 3/4             | 630                  | .21                          | 4.1                      |
| DP40-101     | 16 x 20 x 1                        | 15-1/2 x 19-1/2 x 3/4             | 670                  | .21                          | 4.3                      |
| DP40-102     | 16 x 25 x 1                        | 15-1/2 x 24-1/2 x 3/4             | 840                  | .21                          | 5.3                      |
| DP40-112     | 18 x 24 x 1                        | 17-1/2 x 23-1/2 x 3/4             | 900                  | .21                          | 6.0                      |
| DP40-185     | 18 x 25 x 1                        | 17-1/2 x 24-1/2 x 3/4             | 940                  | .21                          | 6.2                      |
| DP40-103     | 20 x 20 x 1                        | 19-1/2 x 19-1/2 x 3/4             | 840                  | .21                          | 5.4                      |
| DP40-104     | 20 x 25 x 1                        | 19-1/2 x 24-1/2 x 3/4             | 1050                 | .21                          | 6.8                      |
| DP40-105     | 24 x 24 x 1                        | 23-3/8 x 23-3/8 x 3/4             | 1200                 | .21                          | 7.7                      |
| DP40-125     | 25 x 25 x 1                        | 24-1/2 x 24-1/2 x 3/4             | 1310                 | .21                          | 8.6                      |
| DP40-132     | 30 x 20 x 1                        | 29-1/2 x 19-1/2 x 3/4             | 1250                 | .21                          | 8.3                      |

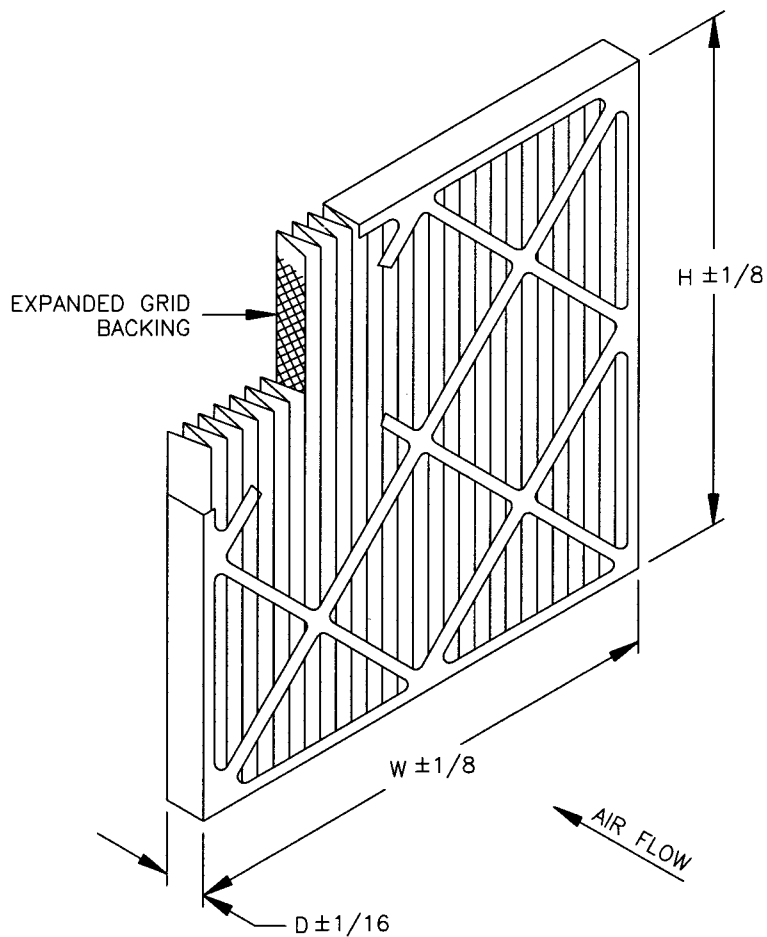
**STANDARD CONSTRUCTION**

1. Green Cotton / Polyester High Loft Media
2. 14.0 Pleats Per Foot
3. Expanded Metal Pleat Supports
4. Moisture Resistant Beverage Board Frame
5. Double Wall Frame

**NOTES**

1. Average Efficiency: 25-30% ASHRAE 52.1-1992  
MERV 6 ASHRAE 52.2-1999
2. Final Resistance: 1.0" W.G.
3. Rated Velocity: 300 FPM
4. Class 2 Filter Per U.L. Standard 900
5. Maximum Operating Temperature: 225 deg. F

|   |  |   |                                     |  |                        |  |                        |
|---|--|---|-------------------------------------|--|------------------------|--|------------------------|
|  <p>ONE SOURCE<br/>FOR<br/>AIR FILTRATION<br/>PRODUCTS</p> | <p>P.O. Box 32578<br/>Louisville, KY 40232<br/>P: 502-969-2304<br/>F: 502-961-0930</p> | <p><b>TOLERANCES</b><br/>UNLESS OTHERWISE SPECIFIED</p> |                                     |  |                        | <p>DRAWING NAME<br/><b>TYPE DP-40 PLEAT (1" DEPTH)</b></p> |                        |
|   |  | <p>FRACTIONAL</p> <p>DECIMAL</p> <p>ANGLES</p>          | <p>APPROVED BY<br/><i>H. Q.</i></p> | <p>SPECIFICATION NO.<br/>MKT-B-00150</p>   | <p>PAGE<br/>1 OF 1</p> | <p>SCALE<br/>NONE</p>                                      | <p>DWG. SIZE<br/>A</p> |
| <p>CONTACT FACTORY TO<br/>VERIFY REVISION LEVEL</p>   |  | <p>ALL DIMENSIONS IN INCHES</p>                         |                                     | <p>CONFIDENTIAL - DO NOT COPY. THIS MATERIAL IS TRADE SECRET AND PROPRIETARY BEING EXCLUSIVELY OWNED BY AIRGUARD. THE EXPRESSION OF THE INFORMATION CONTAINED HEREIN IS PROTECTED UNDER FEDERAL COPYRIGHT LAWS AND ALL COPYING IS PROHIBITED AND MAY BE SUBJECT TO CRIMINAL PENALTIES.</p> |                        |  |                        |



| Model Number | Nominal Size (Inches)<br>W x H x D | Actual Size (Inches)<br>W x H x D | Rated Air Flow (CFM) | Initial Resistance (IN W.G.) | Media Area (Square Feet) |
|--------------|------------------------------------|-----------------------------------|----------------------|------------------------------|--------------------------|
| DP40-217     | 10 x 20 x 2                        | 9-3/4 x 19-3/4 x 1-3/4            | 700                  | .30                          | 5.7                      |
| DP40-220     | 12 x 20 x 2                        | 11-3/4 x 19-3/4 x 1-3/4           | 840                  | .30                          | 7.3                      |
| DP40-210     | 12 x 24 x 2                        | 11-3/8 x 23-3/8 x 1-3/4           | 1000                 | .30                          | 8.6                      |
| DP40-239     | 14 x 20 x 2                        | 13-3/4 x 19-3/4 x 1-3/4           | 980                  | .30                          | 8.8                      |
| DP40-241     | 14 x 25 x 2                        | 13-3/4 x 24-3/4 x 1-3/4           | 1220                 | .30                          | 11.0                     |
| DP40-298     | 15 x 27 x 2                        | 14-1/2 x 26-3/4 x 1-3/4           | 1350                 | .30                          | 12.1                     |
| DP40-245     | 15 x 20 x 2                        | 14-3/4 x 19-3/4 x 1-3/4           | 1050                 | .30                          | 9.3                      |
| DP40-201     | 16 x 20 x 2                        | 15-1/2 x 19-1/2 x 1-3/4           | 1120                 | .30                          | 9.9                      |
| DP40-216     | 16 x 24 x 2                        | 15-1/2 x 23-1/2 x 1-3/4           | 1340                 | .30                          | 11.7                     |
| DP40-202     | 16 x 25 x 2                        | 15-1/2 x 24-1/2 x 1-3/4           | 1400                 | .30                          | 12.3                     |
| DP40-280     | 18 x 20 x 2                        | 17-3/4 x 19-3/4 x 1-3/4           | 1250                 | .30                          | 10.9                     |
| DP40-212     | 18 x 24 x 2                        | 17-1/2 x 23-1/2 x 1-3/4           | 1500                 | .30                          | 13.0                     |
| DP40-285     | 18 x 25 x 2                        | 17-1/2 x 24-1/2 x 1-3/4           | 1570                 | .30                          | 13.6                     |
| DP40-203     | 20 x 20 x 2                        | 19-1/2 x 19-1/2 x 1-3/4           | 1400                 | .30                          | 11.9                     |
| DP40-211     | 20 x 24 x 2                        | 19-3/8 x 23-3/8 x 1-3/4           | 1670                 | .30                          | 14.2                     |
| DP40-204     | 20 x 25 x 2                        | 19-1/2 x 24-1/2 x 1-3/4           | 1750                 | .30                          | 14.9                     |
| DP40-205     | 24 x 24 x 2                        | 23-3/8 x 23-3/8 x 1-3/4           | 2000                 | .30                          | 17.6                     |
| DP40-225     | 25 x 25 x 2                        | 24-1/2 x 24-1/2 x 1-3/4           | 2170                 | .30                          | 19.4                     |

#### STANDARD CONSTRUCTION

1. Green Cotton / Polyester High Loft Media
2. 14.3 Pleats Per Foot
3. Expanded Metal Pleat Supports
4. Moisture Resistant Beverage Board Frame
5. Double Wall Frame

#### NOTES

1. Average Efficiency: 25-30% ASHRAE 52.1-1992  
MERV 6 ASHRAE 52.2-1999
2. Final Resistance: 1.0" W.G.
3. Rated Velocity: 500 FPM
4. Class 2 Filter Per U.L. Standard 900
5. Maximum Operating Temperature: 225 deg. F



ONE SOURCE  
FOR  
AIR FILTRATION  
PRODUCTS

P.O. Box 32578  
Louisville, KY 40232  
P: 502-969-2304  
F: 502-961-0930

CONTACT FACTORY TO  
VERIFY REVISION LEVEL

TOLERANCES  
UNLESS OTHERWISE SPECIFIED

FRACTIONAL  
DECIMAL  
ANGLES

ALL DIMENSIONS IN INCHES

DRAWING NAME

TYPE DP-40 PLEAT (2" DEPTH)

APPROVED BY

*[Signature]*

SPECIFICATION NO.

MKT-B-00151

PAGE

1 OF 1

SCALE

NONE

DWG. SIZE

A

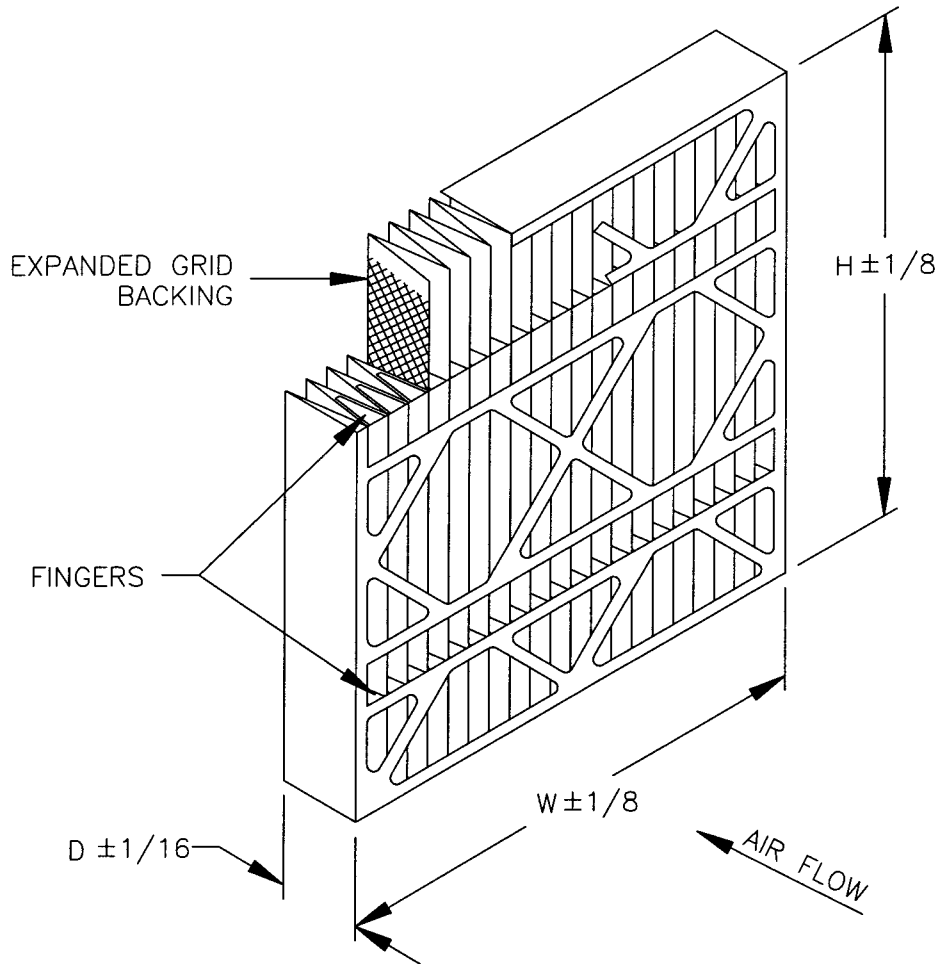
REVISION

B

REVISION DATE

06-13-02

CONFIDENTIAL - DO NOT COPY. THIS MATERIAL IS TRADE SECRET AND PROPRIETARY BEING EXCLUSIVELY OWNED BY AIRGUARD. THE EXPRESSION OF THE INFORMATION CONTAINED HEREIN IS PROTECTED UNDER FEDERAL COPYRIGHT LAWS AND ALL COPYING IS PROHIBITED AND MAY BE SUBJECT TO CRIMINAL PENALTIES.



| Model Number | Nominal Size (Inches)<br>W x H x D | Actual Size (Inches)<br>W x H x D | Rated Air Flow (CFM) | Initial Resistance (IN W.G.) | Media Area (Square Feet) |
|--------------|------------------------------------|-----------------------------------|----------------------|------------------------------|--------------------------|
| DP40-410     | 12 x 24 x 4                        | 11-3/8 x 23-3/8 x 3-3/4           | 1000                 | .25                          | 12.4                     |
| DP40-498     | 15 x 27 x 4                        | 14-1/2 x 26-3/4 x 3-3/4           | 1350                 | .25                          | 20.8                     |
| DP40-401     | 16 x 20 x 4                        | 15-1/2 x 19-1/2 x 3-3/4           | 1120                 | .25                          | 14.6                     |
| DP40-402     | 16 x 25 x 4                        | 15-1/2 x 24-1/2 x 3-3/4           | 1400                 | .25                          | 18.3                     |
| DP40-412     | 18 x 24 x 4                        | 17-1/2 x 23-1/2 x 3-3/4           | 1500                 | .25                          | 19.9                     |
| DP40-403     | 20 x 20 x 4                        | 19-1/2 x 19-1/2 x 3-3/4           | 1400                 | .25                          | 18.8                     |
| DP40-411     | 20 x 24 x 4                        | 19-3/8 x 23-3/8 x 3-3/4           | 1670                 | .25                          | 22.4                     |
| DP40-404     | 20 x 25 x 4                        | 19-1/2 x 24-1/2 x 3-3/4           | 1750                 | .25                          | 23.5                     |
| DP40-405     | 24 x 24 x 4                        | 23-3/8 x 23-3/8 x 3-3/4           | 2000                 | .25                          | 26.1                     |
| DP40-424     | 25 x 29 x 4                        | 24-1/2 x 28-1/2 x 1-3/4           | 2430                 | .25                          | 32.6                     |
| DP40-430     | 30 x 28 x 4                        | 30 x 28 x 3-3/4                   | 2920                 | .25                          | 38.5                     |

#### STANDARD CONSTRUCTION

1. Green Cotton / Polyester High Loft Media
2. 10.8 Pleats Per Foot
3. Expanded Metal Pleat Supports
4. Moisture Resistant Beverage Board Frame
5. Double Wall Frame
6. (2) Rows of Fingers on Air Entering Side

#### NOTES

1. Average Efficiency: 25-30% ASHRAE 52.1-1992  
MERV 6 ASHRAE 52.2-1999
2. Final Resistance: 1.0" W.G.
3. Rated Velocity: 500 FPM
4. Class 2 Filter Per U.L. Standard 900
5. Maximum Operating Temperature: 225 deg. F

**AIRGUARD** ONE SOURCE FOR AIR FILTRATION PRODUCTS

P.O. Box 32578  
Louisville, KY 40232  
P: 502-969-2304  
F: 502-961-0930

**CONTACT FACTORY TO VERIFY REVISION LEVEL**

**TOLERANCES**  
UNLESS OTHERWISE SPECIFIED

FRACTIONAL  
DECIMAL  
ANGLES

ALL DIMENSIONS IN INCHES

DRAWING NAME  
**TYPE DP-40 PLEAT (4" DEPTH)**

APPROVED BY *H. Quinn* SPECIFICATION NO. MKT-B-00152 PAGE 1 OF 1

SCALE NONE DWG. SIZE A REVISION C REVISION DATE 06-03-02

CONFIDENTIAL - DO NOT COPY. THIS MATERIAL IS TRADE SECRET AND PROPRIETARY BEING EXCLUSIVELY OWNED BY AIRGUARD. THE EXPRESSION OF THE INFORMATION CONTAINED HEREIN IS PROTECTED UNDER FEDERAL COPYRIGHT LAWS AND ALL COPYING IS PROHIBITED AND MAY BE SUBJECT TO CRIMINAL PENALTIES.