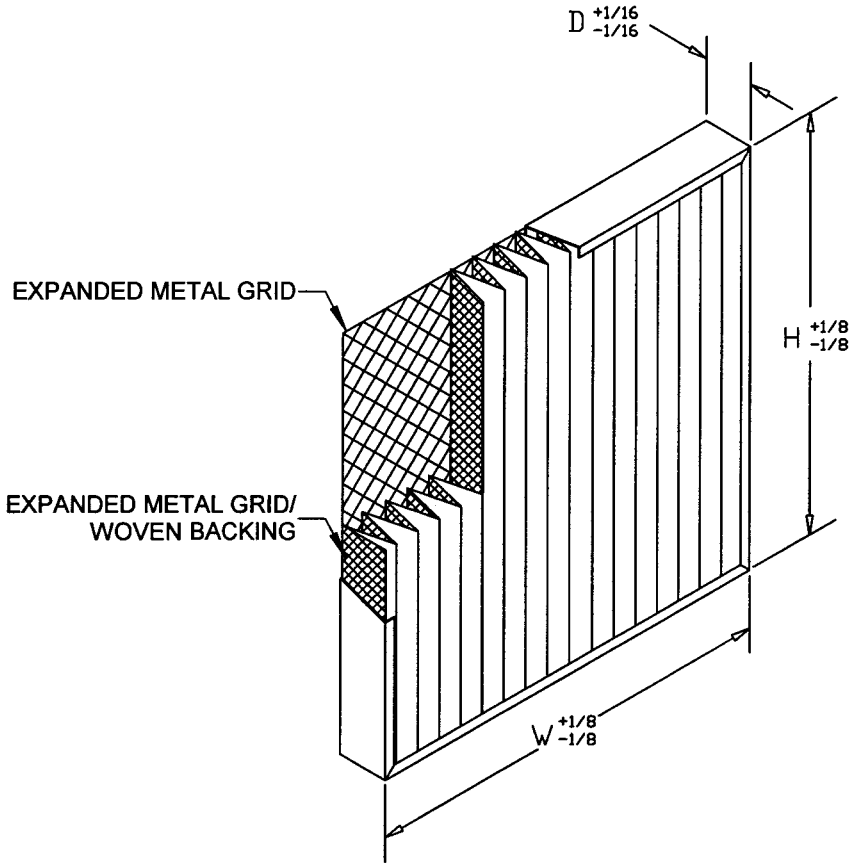


Model Number	Nominal Size (Inches) W x H x D	Actual Size (Inches) W x H x D	Rated Air Flow (CFM)	Initial Resistance (IN W.G.)	Media Area (Square Feet)
DPHT-110	12 x 24 x 1	11-3/8 x 23-3/8 x 3/4	600	.25	4.2
DPHT-101	16 x 20 x 1	15-1/2 x 19-1/2 x 3/4	650	.25	4.8
DPHT-102	16 x 25 x 1	15-1/2 x 24-1/2 x 3/4	850	.25	6.0
DPHT-103	20 x 20 x 1	19-1/2 x 19-1/2 x 3/4	850	.25	6.2
DPHT-104	20 x 25 x 1	19-1/2 x 24-1/2 x 3/4	1050	.25	7.7
DPHT-105	24 x 24 x 1	23-3/8 x 23-3/8 x 3/4	1200	.25	8.6
DPHT-210	12 x 24 x 2	11-3/8 x 23-3/8 x 1-3/4	600	.20	7.5
DPHT-201	16 x 20 x 2	15-1/2 x 19-1/2 x 1-3/4	650	.20	8.3
DPHT-202	16 x 25 x 2	15-1/2 x 24-1/2 x 1-3/4	850	.20	10.5
DPHT-203	20 x 20 x 2	19-1/2 x 19-1/2 x 1-3/4	850	.20	11.2
DPHT-204	20 x 25 x 2	19-1/2 x 24-1/2 x 1-3/4	1050	.20	13.1
DPHT-205	24 x 24 x 2	23-3/8 x 23-3/8 x 1-3/4	1200	.20	15.0
DPHT-401	16 x 20 x 4	11-3/8 x 23-3/8 x 3-3/4	600	.15	12.9
DPHT-402	16 x 25 x 4	15-1/2 x 19-1/2 x 3-3/4	650	.15	15.1
DPHT-403	20 x 20 x 4	15-1/2 x 24-1/2 x 3-3/4	850	.15	18.9
DPHT-404	20 x 25 x 4	19-1/2 x 19-1/2 x 3-3/4	850	.15	19.4
DPHT-405	24 x 24 x 4	19-1/2 x 24-1/2 x 3-3/4	1050	.15	24.2
DPHT-410	12 x 24 x 4	23-3/8 x 23-3/8 x 3-3/4	1200	.15	27.0



STANDARD CONSTRUCTION

1. Glass Fiber Media with Class 1 Woven Backing
2. Expanded Metal Pleat Supports
3. Expanded Metal Pack Support
4. 24 GA Aluminized Steel Frame
5. High Temperature Glass Rope Gasket Available

NOTES

1. Average Efficiency: 35-40% ASHRAE 52.1-1992
MERV 8 ASHRAE 52.2-1999
2. Final Resistance: 1.0" W.G.
3. Rated Velocity: 300 FPM
4. Maximum Velocity 1" Deep - 375 FPM
Maximum Velocity 2" Deep - 500 FPM
Maximum Velocity 4" Deep - 500 FPM
5. Class 1 Filter Per U.L. Standard 900
6. Maximum Operating Temperature: 500 deg. F

AIRGUARD ONE SOURCE FOR AIR FILTRATION PRODUCTS
P.O. Box 32578
Louisville, KY 40232
P: 502-969-2304
F: 502-961-0930

CONTACT FACTORY TO VERIFY REVISION LEVEL

TOLERANCES UNLESS OTHERWISE SPECIFIED

FRACTIONAL
DECIMAL
ANGLES

ALL DIMENSIONS IN INCHES

DRAWING NAME
TYPE DP-HT HIGH TEMPERATURE PLEAT

APPROVED BY *KCA* SPECIFICATION NO. MKT-B-00133 PAGE 1 OF 1

SCALE NONE DWG. SIZE A REVISION A REVISION DATE 11-01-00

CONFIDENTIAL - DO NOT COPY. THIS MATERIAL IS TRADE SECRET AND PROPRIETARY BEING EXCLUSIVELY OWNED BY AIRGUARD. THE EXPRESSION OF THE INFORMATION CONTAINED HEREIN IS PROTECTED UNDER FEDERAL COPYRIGHT LAWS AND ALL COPYING IS PROHIBITED AND MAY BE SUBJECT TO CRIMINAL PENALTIES.