



*Innovative
Clean Air
Solutions*

Micro+Plus™

Room Side Replaceable Ducted Ceiling Modules

For high purity cleanroom applications

Leak Free Gel Seal Design

Micro+Plus modules utilize a knife-edge sealing system designed to accept gel seal HEPA or ULPA filters for a leak free installation.

Room Side Replaceable

The filters can be installed, replaced and tested from inside the room without disturbing the module or ducted connection. The modules are designed to fit into 1-1/2" T-bar ceiling grids allowing easy, low cost installation in new cleanrooms or to upgrade existing facilities. The filters are easily installed with a retaining system requiring no tools.

Save on Replacements

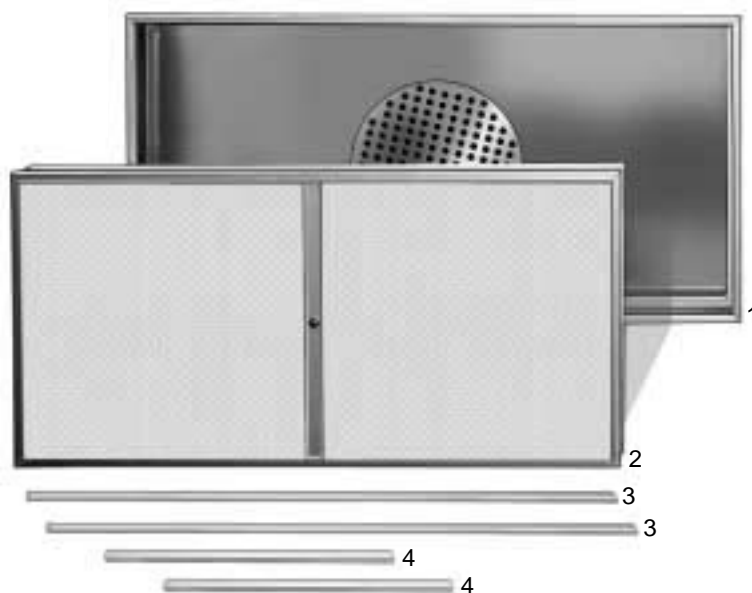
Save on future renovations or upgrades by replacing the gel seal filters in the module housing permanently installed in the T-Bar ceiling grid.

Broad Application Flexibility

Micro+Plus modules are ideal for use in Class M1 to Class M7 (Class 1 to Class 100,000) cleanrooms requiring unidirectional air flow, including:

- Microelectronics
- Pharmaceutical Manufacturing
- Burn Units, Intensive Care, Isolation Areas
- Photo Film Production
- Biotechnology
- Operating/Surgical Suites
- Emergency Room, Neonatal Care
- Critical Labs

- Three efficiencies - 99.99% on 0.3 micron; 99.999% on 0.3; 99.9995% on 0.12 micron.
- Gel seal filter ensures a leak free, uniform seal.
- The media pack is sealed with urethane on all sides and corners to prevent leakage.
- Easy to use retaining system secures filter with no tools.
- Adjustable diffuser/damper provides balanced, uniform air flow.
- Access ports allow adjustment of the diffuser, measurement of resistance across the filter and injection of a test aerosol upstream of the filter - all from inside the room.
- White expanded metal face guard on the HEPA filter eliminates the need for a perforated grill. Simplifies installation and removal, reduces resistance.
- Housings and filters are made with anodized extruded aluminum, sized to fit in 1-1/2" T-bar ceiling grids.
- 10" or 12" diameter collars available.

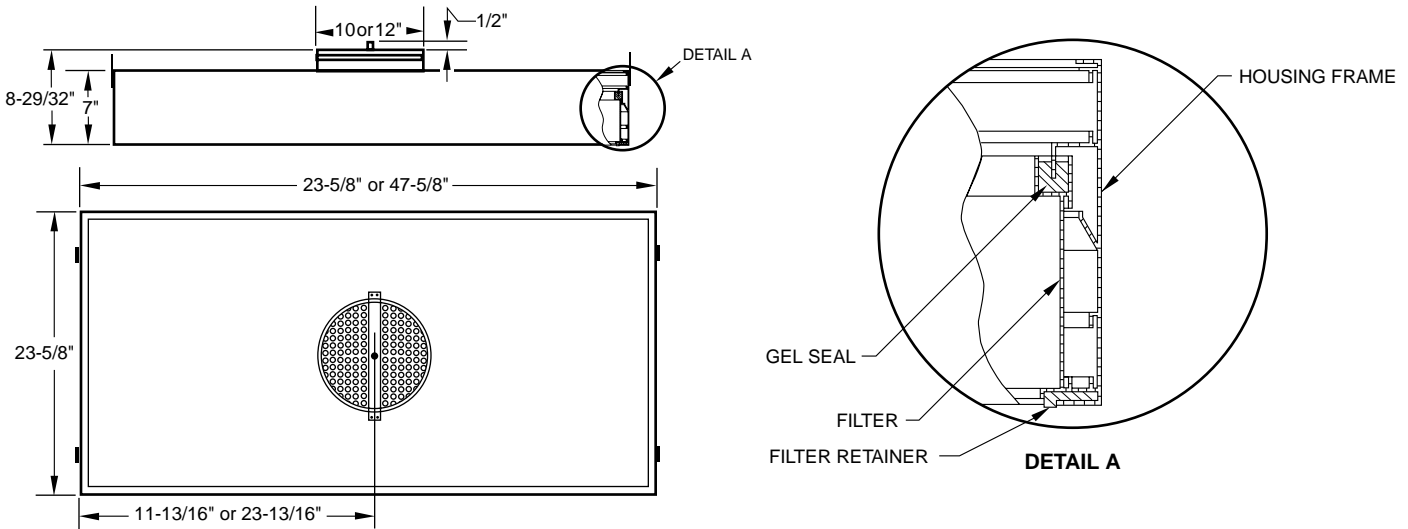


- 1 - Micro+Plus Room Side Replaceable Housing
- 2 - MicroPleat HEPA filter
- 3 - Filter Retainer Insert (Sides)
- 4 - Filter Retainer Insert (Ends)



UL CERTIFICATE
A4915

Micro+Plus™ Room Side Replaceable Ceiling Modules



Specifications:

MicroPleat™ HEPA Filter

- 2" (53mm) mini-pleat media pack.
- Anodized extruded aluminum frame.
- Gel seal channel on air entering side.
- White coated expanded metal faceguard on air leaving side.
- Center post with one port for damper adjustment, filter efficiency testing and air velocity testing.
- Minimum DOP efficiency 99.99% @ 0.3 micron.
- Rated air velocity: 90 feet per minute.
- Maximum operating temperature: 155°F (68°C).

Micro+Plus™ Room Side Replaceable Filter Housing

- Anodized extruded aluminum housing.
- Filter retainer system requires no tools for installation.
- Knife-edge for positive seal with gel seal HEPA filter.
- Corners and edges sealed to prevent leakage.
- Adjustable perforated damper.
- 10" or 12" diameter inlet collar
- Four hanging brackets

Model Number	Nominal Size (Inches) (H x W)	Nominal Size (Inches) (H x W x D)	Inlet Collar Diameter (Inches)	Rated Air Flow (CFM) @ 90 FPM
99.99% Efficiency on 0.3 Microns, 0.45 W.G. Pressure Drop				
RF-224-99-10	24 x 24	23-5/8 x 23-5/8 x 7	10	265
RF-248-99-10	24 x 48	23-5/8 x 47-5/8 x 7	10	575
RF-224-99-12	24 x 24	23-5/8 x 23-5/8 x 7	12	265
RF-248-99-12	24 x 48	23-5/8 x 47-5/8 x 7	12	575
99.999% Efficiency on 0.3 Microns, 0.50-0.55 W.G. Pressure Drop				
RF-224-999-10	24 x 24	23-5/8 x 23-5/8 x 7	10	265
RF-248-999-10	24 x 48	23-5/8 x 47-5/8 x 7	10	575
RF-224-999-12	24 x 24	23-5/8 x 23-5/8 x 7	12	265
RF-248-999-12	24 x 48	23-5/8 x 47-5/8 x 7	12	575
99.9995% Efficiency on 0.12 Microns, 0.55-0.60 W.G. Pressure Drop				
RF-224-9995-10	24 x 24	23-5/8 x 23-5/8 x 7	10	265
RF-248-9995-10	24 x 48	23-5/8 x 47-5/8 x 7	10	575
RF-224-9995-12	24 x 24	23-5/8 x 23-5/8 x 7	12	265
RF-248-9995-12	24 x 48	23-5/8 x 47-5/8 x 7	12	575



AIRGUARD

P.O. BOX 32578, LOUISVILLE, KENTUCKY 40232-2578
(502) 969-2304 FAX (502) 961-0930

Visit our Web Site - www.airguard.com
E-Mail Address - mailbag@airguard.com

Airguard has a policy of continuous product research and development and reserves the right to change design and specifications without notice.

Distributed by: